

## Food slicers

### 300 mm Gravity Slicer, belt transmission

ITEM # \_\_\_\_\_

MODEL # \_\_\_\_\_

NAME # \_\_\_\_\_

SIS # \_\_\_\_\_

AIA # \_\_\_\_\_



<b>601131 (MSG30B)</b>	Gravity Slicer 300mm, belt transmission (230V; 1+N; 50)
<b>601112 (MSG30B6)</b>	Gravity Slicer 300mm, belt transmission (230V; 1+N; 60)

### Short Form Specification

**Item No.** \_\_\_\_\_

Medium duty slicer for Hotel and Catering  
 Base and main components in high polished satin finished anodized aluminium for long lasting, hygiene and ease of cleaning. The blade is in chrome forged steel with blade guard ring for added protection. Model equipped with cut thickness adjusting knob, top mounted sharpener, blade cover and product deflector - easily removable for cleaning. Ventilated blade drive motor. Poly V-belt drive system for quiet operation and economical service. Removable carriage system permanently lubricated with automatic clutch. IP42 water protection.  
 Supplied with blade removal tool.

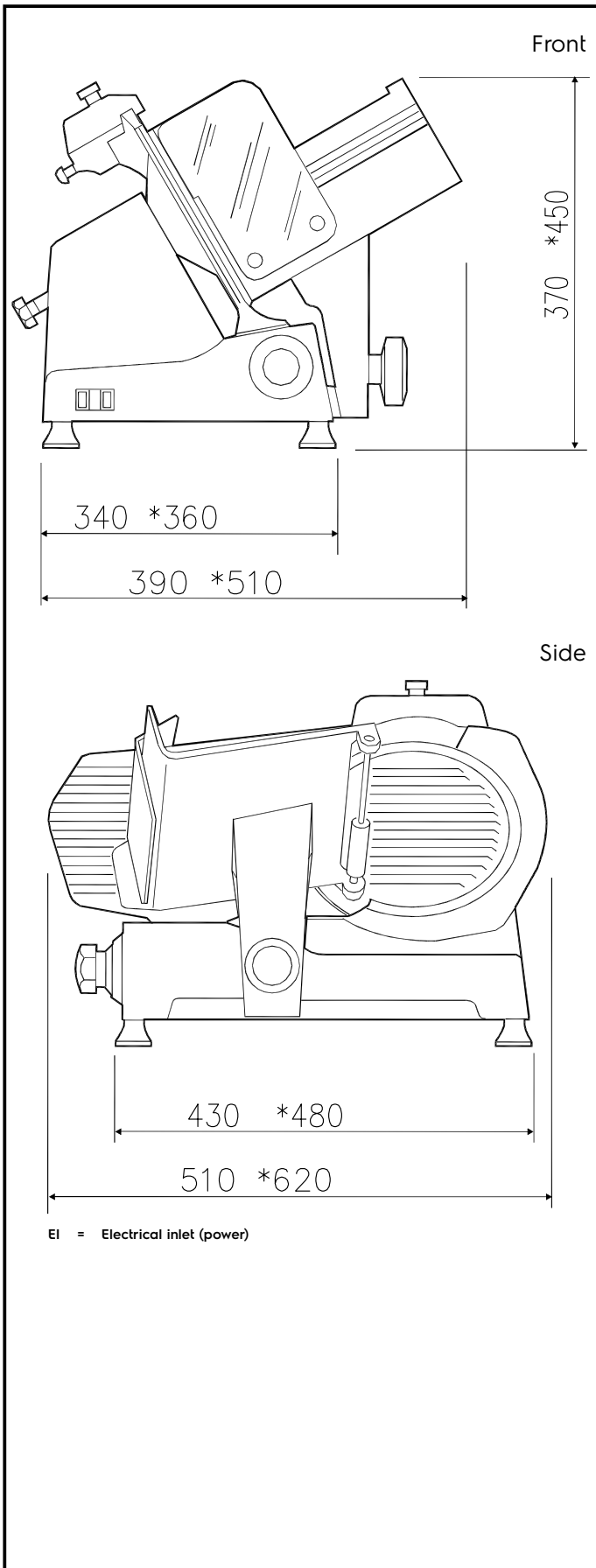
### Main Features

- Manual gravity slicer.
- Slice thickness from 0 to 15 mm.
- Cut thickness-adjusting knob (millimeter adjustment).
- Belt driven transmission.
- Ventilated blade drive motor designed for continuous use, with Poly V-belt drive system for quiet operation and economical service.
- Removable carriage system permanently lubricated with automatic clutch.
- Top-mounted stone blade sharpener and cover blade easy to remove.
- Supplied with blade removal tool.
- Highest degree of safety in functioning, cleaning and maintenance.
- Cutting capacity for 300 mm model:
  - square: 190x190 mm
  - rectangular: 250x190 mm
  - round: 220 mm

### Construction

- Compact design.
- Made in high polished satin finished anodized aluminium. This procedure guarantees high hygienic standards of the parts interested by the cut and resistance to acids, salts and oxidation processes.
- Plexiglass safety hand guard as standard.
- IP42 water protection.
- The blade is made of chrome forged steel with blade guard ring for added protection.

**APPROVAL:** \_\_\_\_\_



### Electric

**Supply voltage:**

601131 (MSG30B)

230 V/1N ph/50 Hz

601112 (MSG30B6)

230 V/1N ph/60 Hz

**Total Watts:**

0.19 kW

### Key Information:

**External dimensions, Width:** 620 mm

**External dimensions, Depth:** 510 mm

**External dimensions, Height:** 450 mm

**Net weight (kg):** 30